

APPLICATION

Fan designed for transporting non-aggressive and non-explosive gases without contamination. Typical applications:

- air pressing in technological processes,
- cooling systems,
- air drying systems.

CONSTRUCTION

- medium-pressure radial fan with direct drive,
- the rotor is made of aluminium sheet with blades inclined backwards, dynamically balanced according to ISO 1940-1,
- housing made of aluminium sheet,
- fan painted black RAL 9005 (corrosivity category C3),
- maximum temperature of the transported medium is 80°C, ambient temperature of the motor from 20°C to +40°C,
- figure LG with inlet grille.

MOTOR

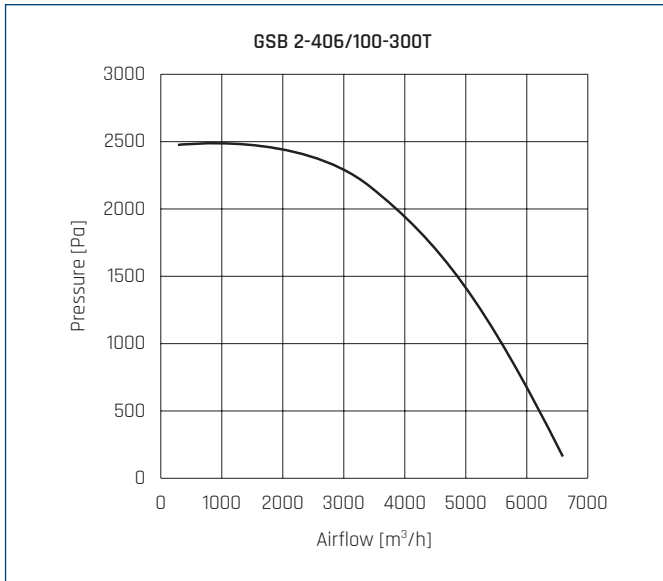
- asynchronous, three-phase 400V, 50Hz, 3kW,
- degree of protection IP65,
- insulation class F.



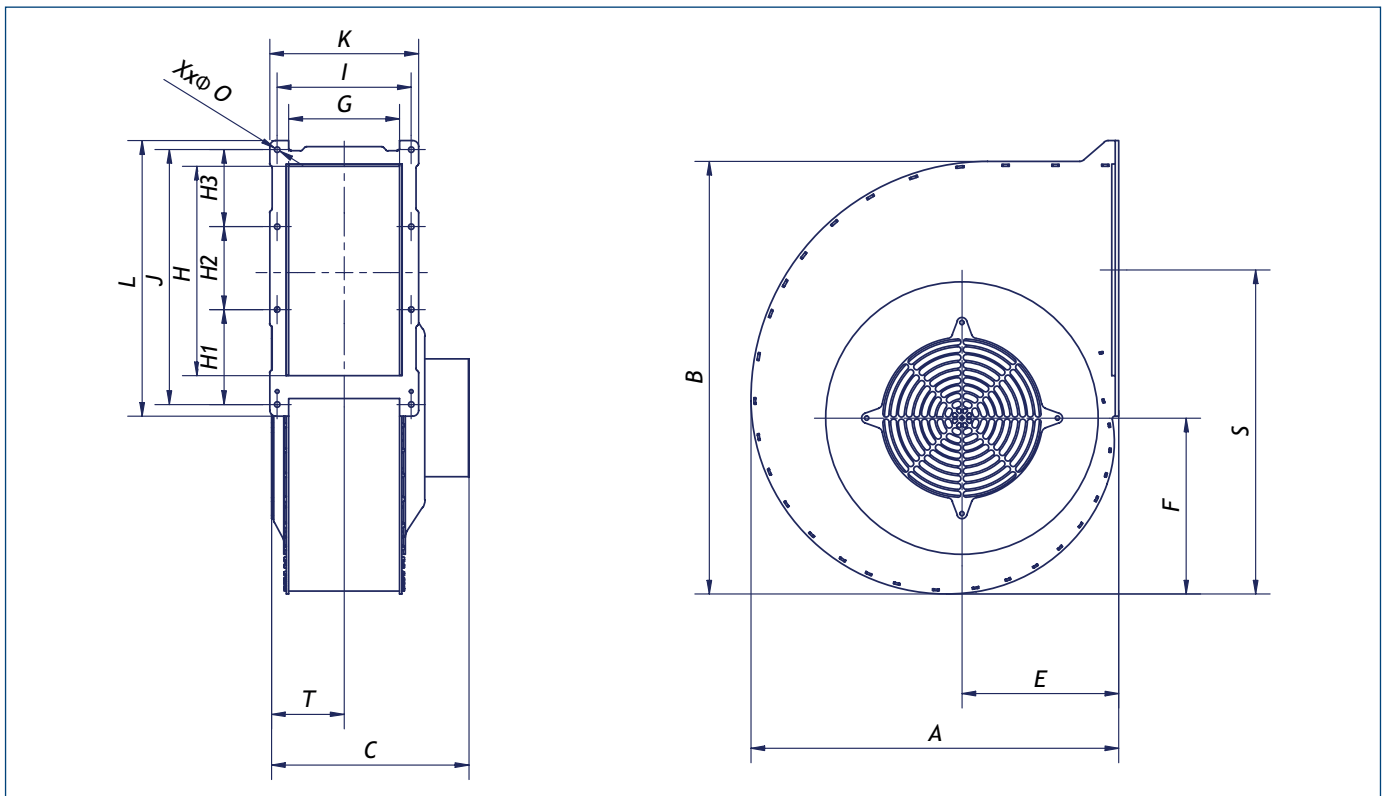
TECHNICAL CHARACTERISTICS

Type	airflow max	pressure max	max absorbed power	speed	max absorbed current	voltage	sound pressure level*	weight	article number
	[m³/h]	[Pa]	[kW]	[obr/min]	[A]	[V]	[dB(A)]	[kg]	
GSB 2-406/100-300T	6500	2480	3,0	2860	7	400	91	65	46010602

PERFORMANCE CURVES



DIMENSIONS [mm]



Typ	A	B	C	E	F	G	H	H1	H2	H3	I	J	K	L	S	T	X	Ø
GSB 2-406/100-300T	20	730	333	265	297	187	354	160	140	130	226	430	251	465	547	123	8	9,5