



APPLICATION

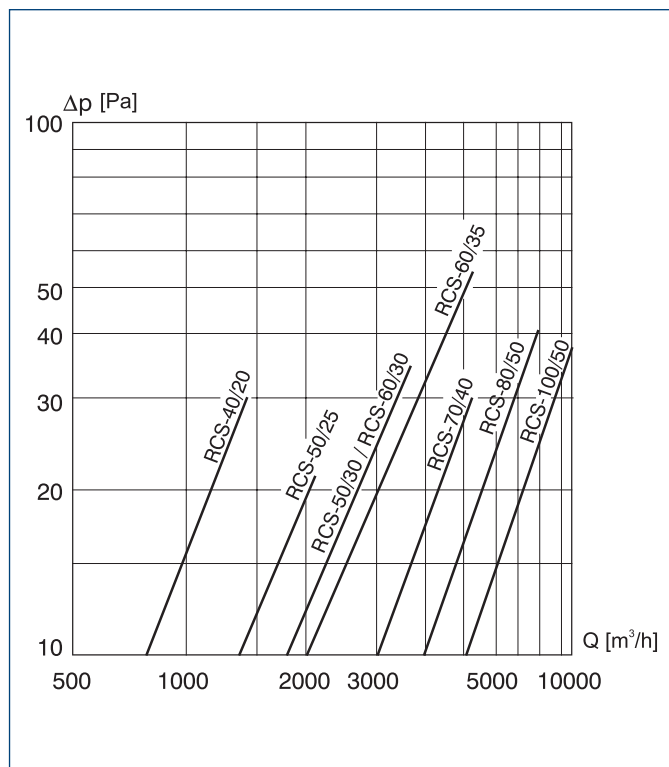
Silencers reducing the sound level in rectangular ventilation ducts. Easy to install directly with the IBF, ILB and ILT fans as well as the supply side of RH heaters.

CONSTRUCTION

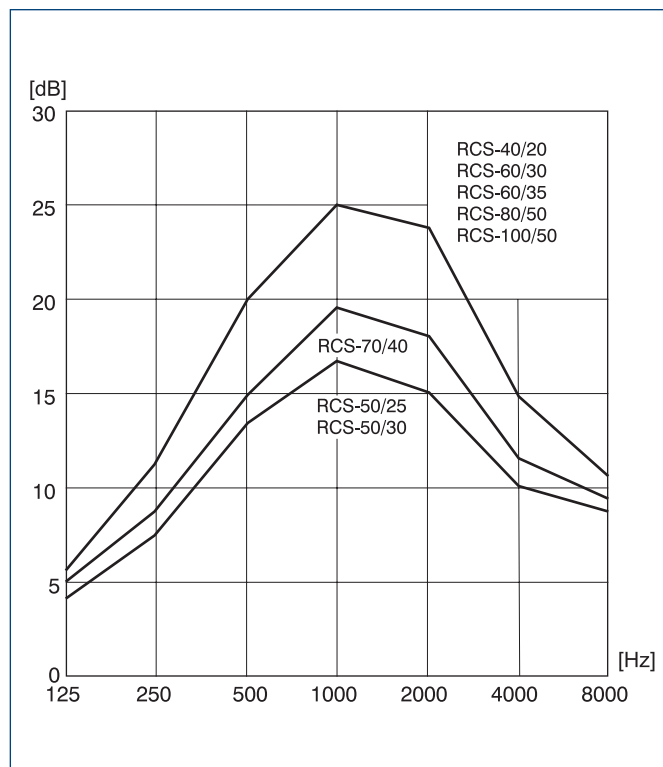
Welded muffler housing made of galvanized sheet steel. Soundproofing is applied inside. The mounting flanges are dimensionally compatible with the fans and heaters of Ventur.



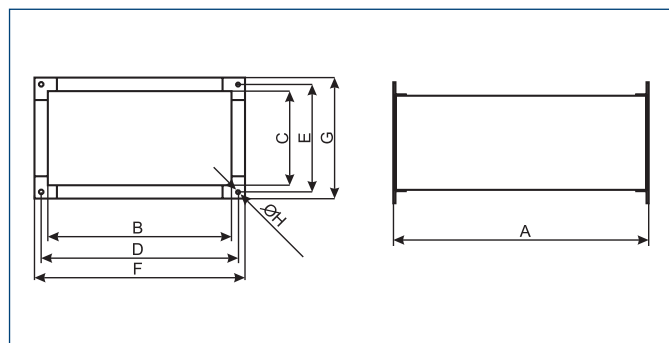
CHARACTERISTICS OF PRESSURE LOSS



ACOUSTIC CHARACTERISTICS



DIMENSIONS [mm]



Type	A	B	C	D	E	F	G	ØH	article number
RCS-30/15	1000	300	150	320	170	340	190	9	40521900
RCS-40/20	1000	400	198	440	220	440	240	9	40521910
RCS-50/25	1000	500	248	520	270	540	290	9	40521920
RCS-50/30	1000	500	298	520	320	540	340	9	40521930
RCS-60/30	1000	600	298	620	320	640	340	9	40521940
RCS-60/35	1000	600	348	620	370	640	390	9	40521950
RCS-70/40	1000	700	398	720	420	740	440	9	40521960
RCS-80/50	1000	800	498	820	520	840	540	9	40521970
RCS-100/50	1000	1000	498	1020	520	1040	540	9	40521980